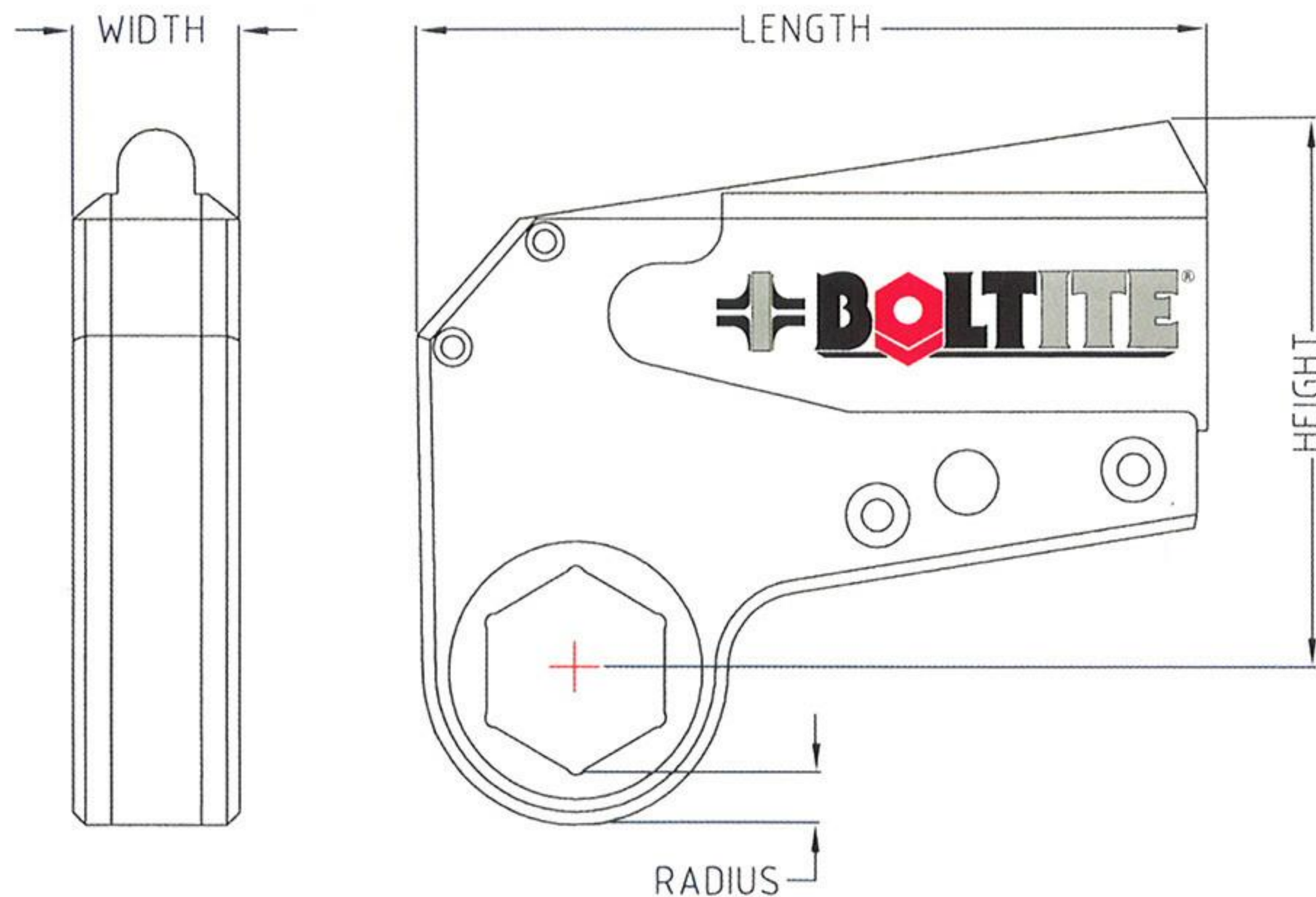


# Torque Wrench

## TX SERIES SPECIFICATION (Low Profile)

### Technical

Model Number	TX-2	TX-4	TX-8	TX-16	TX-32
<b>Tool Hex</b> from to	3/4" / 19mm 2-3/8" / 60mm	1" / 25mm 3-1/8" / 80mm	1-7/8" / 50mm 4" / 105mm	2-5/8" / 65mm 4-5/8" / 115mm	3-1/8" / 80mm 6-1/8" / 155mm
<b>Min. Torque (Ft/Lbs)</b>	192	395	830	1,560	3,220
<b>Max. Torque (Ft/Lbs)</b>	1,928	3,950	8,630	16,600	35,650
<b>Output Accuracy</b>	+/-3%	+/-3%	+/-3%	+/-3%	+/-3%
<b>Repeatability</b>	100%	100%	100%	100%	100%
<b>Duty Cycle</b>	100%	100%	100%	100%	100%
<b>Corrosion Protection</b>			<b>Standard</b>		
<b>Cylinder Weight (Lbs)</b>	3.50	6.00	11.70	16.00	26.00
<b>Link Weight</b> from to	2.40 3.50	5.40 7.60	11.90 14.50	21.00 28.00	29.00 39.50



### Dimensions

Model Number	TX-2	TX-4	TX-8	TX-16	TX-32
<b>Length</b>	5.67	7.80	9.80	12.93	15.30
<b>Height</b>	4.00	5.60	7.00	7.58	10.90
<b>Width</b>	1.25	1.63	2.05	2.50	3.24
<b>Radius</b>	0.36	0.46	0.54	0.65	0.93

#### Note:

All Tool Weights Include Couplers, Swivels, Reaction Arm and Internal Oil.  
 The Patented Peanut Shaped Cylinder Bore is Standard On TX-2, TX-4 and TX-8 Models.  
 All Dimensions are in Inches.

