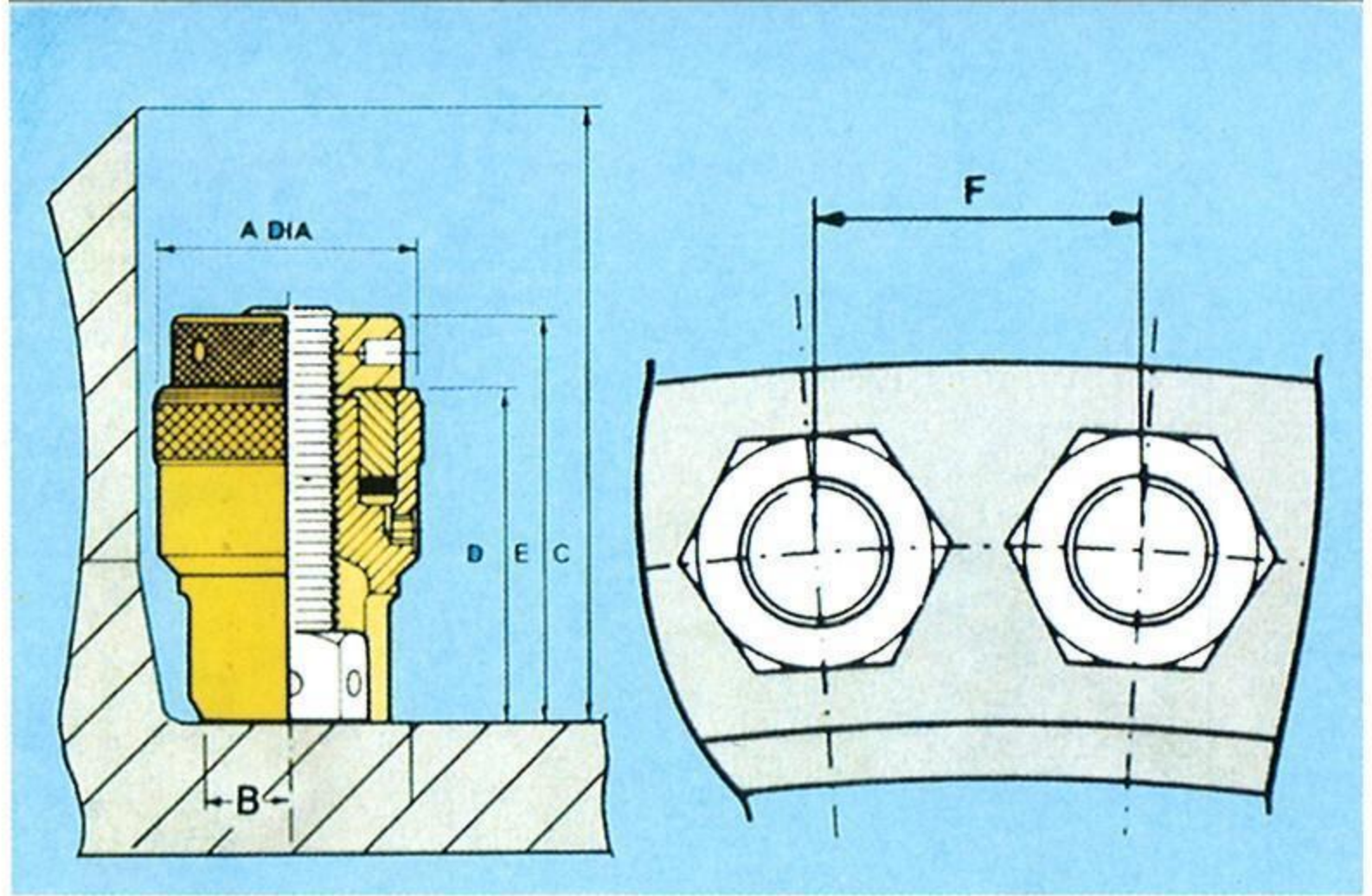
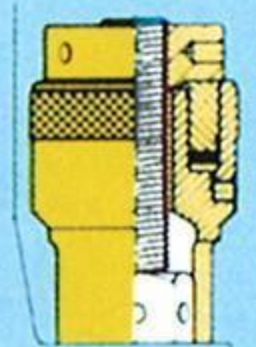


BOLTITE® SUB-SEA BOLT TENSIONER

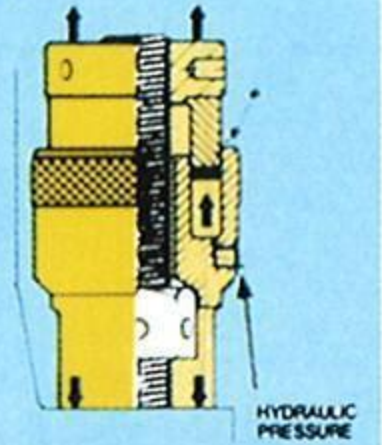


TOOL No.	PART No. IMPERIAL	THREAD		PART No. METRIC	FORCE		H.P.A.		STROKE MM	Wt KG	A	B	C	D	E	F
		In	MM		kN	Tons	In2	mm2			MM					
1	1MTST:1000	1	24	1MTST:0024	245			1634	30	3.2	82	25	218	120	144	61
	1MTST:1125	1 1/8	27	1MTST:0027	245	24.58	2.53				82	25	218	120	144	64
2	2MTST:1250	1 1/4	33	2MTST:0033	379.2			2532	30	4.8	100	28	240	131	159	75
	2MTST:1375	1 3/8	36	2MTST:0036	379.2	38	3.92				100	28	240	131	159	78
3	3MTST:1500	1 1/2	39	3MTST:0039	552			3688	30	6.2	112	35	249	133	166	84
	3MTST:1625	1 5/8	42	3MTST:0042	552	55.4	5.71				112	35	249	133	166	87
4	4MTST:1750	1 3/4	45	4MTST:0045	753			5027	30	8.5	128	41	271	140	178	95.5
	4MTST:1875	1 7/8	48	4MTST:0048	753	75.6	7.79				128	41	271	140	178	98
5	5MTST:2000	2	52	5MTST:0052	1076			7174	30	12.2	148	48	296	152	198	121
	5MTST:2250	2 1/4	56	5MTST:0056	1076	108	11.12				148	48	296	152	198	116
6	6MTST:2500	2 1/2	64	6MTST:0064	1644			10968	30	19.2	176	58	335	168	224	136
	6MTST:2750	2 3/4	72	6MTST:0072	1644	165	17.0				176	58	335	168	224	141
7	7MTST:3000	3	76	7MTST:0076	2525			16870	30	29	216	53	373	192	260	162
	7MTST:3500	3 1/2	90	7MTST:0090	2525	253.4	26.1				216	53	373	192	260	173
MAXIMUM PRESSURE										21,750 PSI/1500bar						

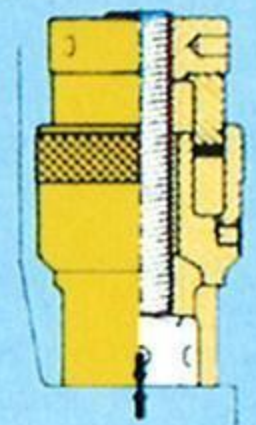


BOLT TENSIONER IS ASSEMBLED ONTO THE BOLT.

NOTE!
AN EXTRA LENGTH OF BOLT IS REQUIRED ABOVE THE HEXAGON NUT.



HYDRAULIC PRESSURE DEVELOPS AXIAL FORCE WHICH STRETCHES THE BOLT.
*STROKE INDICATOR SHOWS BOLT TENSIONER APPROACHING MAXIMUM STROKE.



HEXAGON NUT TIGHTENED AGAINST APPLICATION FACE.
PRESSURE RELEASED.
BOLT TENSIONER REMOVED.

